

(19) World Intellectual Property Organization  
International Bureau



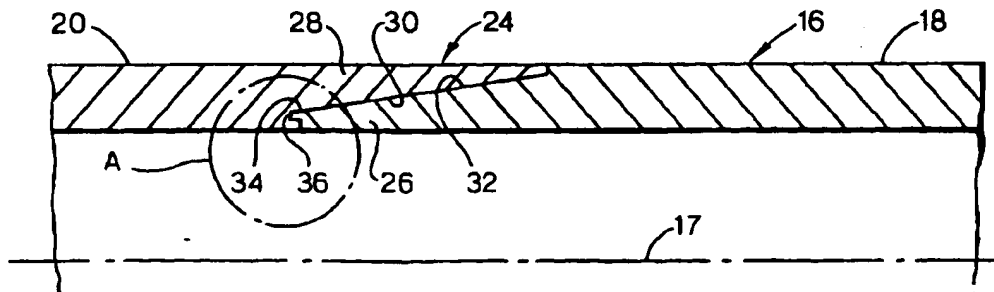
(43) International Publication Date  
28 November 2002 (28.11.2002)

PCT

(10) International Publication Number  
**WO 02/095181 A1**

- (51) International Patent Classification: **E21B 17/046**,  
17/042, 17/08, 43/10
- (21) International Application Number: **PCT/EP02/05602**
- (22) International Filing Date: **22 May 2002 (22.05.2002)**
- (25) Filing Language: **English**
- (26) Publication Language: **English**
- (30) Priority Data:  
01304604.0      24 May 2001 (24.05.2001)    EP
- (71) Applicant (for all designated States except CA, US): **SHELL INTERNATIONALE RESEARCH MAATSCHAPPIJ B.V. [NL/NL]**; Carel van Bylandtlaan 30, NL-2596 HR The Hague (NL).
- (71) Applicant (for CA only): **SHELL CANADA LIMITED [CA/CA]**; 400 - 4th Avenue S.W., Calgary, Alberta T2P 2H5 (CA).
- (72) Inventors; and  
(75) Inventors/Applicants (for US only): **LOHBECK, Wilhelmus, Christianus, Maria [NL/NL]**; Volmerlaan 8, NL-2288 GD Rijswijk (NL). **MARKETZ, Franz [AT/NL]**; Volmerlaan 8, NL-2288 Gd Rijswijk (NL). **NIJVELD, Erik, Marco [NL/NL]**; Volmerlaan 8, NL-2288 GD Rijswijk (NL). **WUBBEN, Antonius, Leonardus, Maria [NL/NL]**; Volmerlaan 8, NL-2288 GD Rijswijk (NL).
- (74) Agent: **SHELL INTERNATIONAL B.V.**; Intellectual Property Services, P.O. Box 384, NL-2501 CJ The Hague (NL).
- (81) Designated States (national): AE, AG, AL, AM, AT, AU, AZ, BA, BB, BG, BR, BY, BZ, CA, CH, CN, CO, CR, CU, CZ, DE, DK, DM, DZ, EC, EE, ES, FI, GB, GD, GE, GH, GM, HR, HU, ID, IL, IN, IS, JP, KE, KG, KP, KR, KZ, LC, LK, LR, LS, LT, LU, LV, MA, MD, MG, MK, MN, MW, MX, MZ, NO, NZ, OM, PH, PL, PT, RO, RU, SD, SE, SG, SI, SK, SL, TJ, TM, TN, TR, TT, TZ, UA, UG, US, UZ, VN, YU, ZA, ZM, ZW.
- (84) Designated States (regional): ARIPO patent (GH, GM, KE, LS, MW, MZ, SD, SL, SZ, TZ, UG, ZM, ZW), Eurasian patent (AM, AZ, BY, KG, KZ, MD, RU, TJ, TM), European patent (AT, BE, CH, CY, DE, DK, ES, FI, FR, GB, GR, IE, IT, LU, MC, NL, PT, SE, TR), OAPI patent (BF, BJ, CF, CG, CI, CM, GA, GN, GQ, GW, ML, MR, NE, SN, TD, TG).
- Published:  
— with international search report
- For two-letter codes and other abbreviations, refer to the "Guidance Notes on Codes and Abbreviations" appearing at the beginning of each regular issue of the PCT Gazette.

(54) Title: **RADIALLY EXPANDABLE TUBULAR WITH SUPPORTED END PORTION**



(57) Abstract: A method is provided of radially expanding a connector (24) for interconnecting a first tube (18) to a second tube (20), the connector including a pin member (26) extending into a box member (28). The pin and box members have cooperating support means (26, 28) arranged to support the pin member so as to prevent radially inward movement of said end portion of the pin member relative to the box member. The method comprises radially expanding the connector (24), and supporting the pin member so as to prevent radially inward movement of said end portion of the pin member relative to the box member.

## RADIALLY EXPANDABLE TUBULAR WITH SUPPORTED END PORTION

The present invention relates to a method of radially expanding a connector for interconnecting a first tube to a second tube, the connector including a pin member extending into a box member. Radially expanded tubular elements can be applied in numerous applications, such as in wellbore applications where hydrocarbon fluid is produced from an earth formation. For example, it has been tried to expand tubular wellbore casing in order to allow larger downhole wellbore diameters to be achieved compared to conventional wellbore construction wherein a plurality of casings are arranged in a nested arrangement. Such nested arrangement follows from the drilling procedure whereby for each newly drilled interval a new casing is lowered through the previously drilled and cased interval(s), which new casing therefore necessarily needs to be of smaller outer diameter than the inner diameter of the previously installed casing(s). This has been improved by radially expanding the new casing after having been lowered through the previously installed casing(s), whereby the new casing deforms plastically. The expanded casing allows passage therethrough of a larger diameter drill bit so that the wellbore can be further drilled at a larger diameter than in the conventional situation. A further casing is then lowered through the previously installed and expanded casing, and thereafter expanded, etc.

The end portion of an expanded tubular element, such as the end portion of the pin member of a connector, has a tendency to axially shorten due to the imposed

circumferential strain in the wall of the pin member. The imposed circumferential strain at the inner surface is larger than the imposed circumferential strain at the outer surface. This can be understood by considering that the circumferential strain at the inner surface is  $\Delta D/D_i$  and the circumferential strain at the outer surface is  $\Delta D/D_o$ , and that  $D_i$  is smaller than  $D_o$ . Here  $D_i$  is the inner diameter of the pin member,  $D_o$  is the outer diameter of the pin member, and  $\Delta D$  is the change in diameter due to the expansion process. Since the circumferential strain at the inner surface is larger than the circumferential strain at the outer surface, the tendency to shorten is larger at the inner surface than at the outer surface leading to a tendency of the pin member to bend radially inward. At locations remote from the end of the pin member, radially inward bending does not occur in view geometrical constraints. However, the end portion of the pin member does radially bend inwardly if no corrective measures are taken. Of course, the end portion of the box member also has a tendency to bend radially inward. However, inward bending of the box member end portion is less of a problem than inward bending of the pin member as the latter phenomenon causes an internal upset of the tubular element. Hence it will be understood that such radially inward bending of the pin member is a drawback in many applications of expanded tubulars.

It is an object of the invention to provide an improved method of radially expanding a tubular connector, which overcomes the aforementioned drawback.

In accordance with the invention there is provided a method of radially expanding a connector for inter-connecting a first tube to a second tube, the connector

including a pin member extending into a box member, the pin and box members having cooperating support means arranged to support the pin member so as to prevent radially inward movement of said end portion of the pin member relative to the box member, the method comprising:

- radially expanding the connector; and
- supporting the pin member so as to prevent radially inward movement of said end portion of the pin member relative to the box member.

By supporting the pin member relative to the box member, it is achieved that inward radial movement of the pin member relative to the box member is prevented.

Suitably the pin member is supported so as to prevent said radially inward movement during and after radial expansion of the connector.

Since the pin member is prevented from inwardly bending during and after the expansion process, the pin member remains elastically deformed and therefore remains to have a tendency of inward bending. To prevent such inward bending of the pin member as a result of axial displacement of the pin member relative to the box member, it is preferred that the support means includes at least one support surface extending in substantially axial direction of the connector, each support surface being provided at one of the pin and box members. Thereby it is achieved that the axial support surface prevents inward bending irrespective of the axial position of the pin member relative to the box member.

Suitably the support surface is formed by a recess provided in one of the pin and box members, and wherein the other of the pin and box members extends into said recess.

Preferably the support means includes a first said support surface provided at the pin member and a second said support surface provided at the box member, the first support surface being supported by the second support surface.

To achieve a metal-to-metal seal between pin and box members it is preferred that the first and second support surfaces are compressed against each other as a result of radial expansion of the connector.

The invention will be described hereinafter in more detail and by way of example with reference to the accompanying drawing in which

Fig. 1 schematically shows a longitudinal section of an embodiment of a radially expanded tubular element not according to the invention;

Fig. 2 schematically shows a longitudinal section of an embodiment of a radially expanded tubular element according to the invention; and

Fig. 3 schematically shows detail A of Fig. 2.

Referring to Fig. 1 there is shown a tubular element 1 having longitudinal axis 2, after the tubular element has been elastically and plastically deformed by expansion in radial direction. The element 1 has an end portion 3 with a point 4 at the inner surface thereof and a point 6 at the outer surface thereof whereby the points 4, 6 are located at axial position Z. Point 4 is located at inner diameter 8 and point 6 at outer diameter 10 of the end portion 3. Ignoring any change of wall thickness of the tubular element 1 due to the expansion process, the magnitude of inner diameter 8 is  $D_i + \Delta D$  and the magnitude of outer diameter 10 is  $D_o + \Delta D$  wherein

$D_i$  = inner diameter of the tubular element before expansion;

$D_o$  = outer diameter of the tubular element before expansion;

5  $\Delta D$  = increase of the inner and outer diameter of the tubular element due to the expansion process.

The radial expansion process induces positive circumferential strain (also referred to as hoop strain) in the wall material of the tubular element 1. Since the  
10 volume of the wall material remains substantially constant during the deformation process, this leads to negative strain in the wall material in radial and/or axial direction. The circumferential strain at point 4 due to the expansion process is  $\Delta D/D_i$  and the  
15 circumferential strain at point 6 due to the expansion process is  $\Delta D/D_o$ . Since  $D_o$  is larger than  $D_i$  it follows that the circumferential strain at point 4 is larger than the circumferential strain at point 6. Therefore, the wall material will undergo larger negative strain in  
20 radial and/or axial direction at the inner surface than at the outer surface. The larger negative axial strain at the inner surface induces the wall of end portion 3 to bend radially inwards, as schematically shown in Fig. 1. At locations remote from the end portion 3, the wall of  
25 the tubular element 1 does not radially bend inwards in view of geometrical constraints of the tubular element 1. At those locations the larger circumferential strain at the inner surface is compensated for by a larger negative radial strain at the inner surface than at the outer  
30 surface.

Referring to Figs. 2 and 3 there is shown a tube 16 having longitudinal axis 17 and formed of a first tubular

element 18 and a second tubular element 20. The tubular elements 18, 20 are connected to each other by a pin/box connector 24 including a pin member 26 being an end portion of the first tubular element 18, and a box member 28 being an end portion of the second tubular element 20. The pin member 26 and the box member 28 have respective tapered contact surfaces 30, 32. The pin member 26 has a nose section 34 which extends into a recess provided in the box member 28, the recess being an annular groove 36 provided in a radially extending surface 38 of the box member 28. By this arrangement the pin member 26 is locked relative to the box member 28 with respect to radial displacement of the pin member 26 relative the box member 28.

During normal operation the tube 16 is radially expanded, for example by pulling or pumping an expander through the tube 16. As explained with reference to Fig. 1 the pin member 26 being an end portion of tubular element 18, and the box member 28 being an end portion of tubular element 20, will tend to bend radially inwards due to the expansion process. However, radially inward bending of the pin member 26 is prevented by virtue of nose section 34 of the pin member 26 being locked into the annular groove 36 of the box member 28. Thus, the pin member 26 remains flush with the inner surface of the tube 16.

In addition, a metal-to-metal seal is obtained between the nose section 34 and the wall of the groove 36 since the tendency of the pin member 26 to bend radially inwards firmly pushes the nose section 34 against the wall of the groove 36.

Furthermore, a second metal-to-metal seal is possibly obtained between the respective contact surfaces 30, 32

due to the tendency of the pin member 26 to bend radially inward and the action of the annular groove 36 to prevent such radially inward bending.

5 Also, a third metal-to-metal seal is obtained between the respective contact surfaces 30, 32 close to the tip of the box member 28 due to the tendency of the box member 28 to bend radially inward and the action of the pin member 26 prevent such radially inward bending.

10 To enhance the holding power of the connector 24 and to further reduce the tendency of the pin member 26 to bend radially inwards, a layer of adhesive (e.g. an epoxy based adhesive) can be applied between the pin member 26 and the box member 28 so as to glue the pin and box members to each other.

15 The expanded tube can be a tube extending into a wellbore for the production of hydrocarbon fluid, for example a wellbore casing or a production tubing.



C L A I M S

1. A method of radially expanding a connector for interconnecting a first tube to a second tube, the connector including a pin member extending into a box member, the pin and box members having cooperating support means arranged to support the pin member so as to prevent radially inward movement of said end portion of the pin member relative to the box member, the method comprising:
- 5
- radially expanding the connector; and
  - 10 - supporting the pin member so as to prevent radially inward movement of said end portion of the pin member relative to the box member.
2. The method of claim 1, wherein the pin member is supported so as to prevent said radially inward movement during and after radial expansion of the connector.
- 15
3. The method of claim 1 or 2, wherein the support means includes at least one support surface extending in substantially axial direction of the connector, each support surface being provided at one of the pin and box members.
- 20
4. The method of claim 3, wherein the support surface is formed by a recess provided in one of the pin and box members, and wherein the other of the pin and box members extends into said recess.
- 25
5. The method of claim 3 or 4, wherein the support means includes a first said support surface provided at the pin member and a second said support surface provided at the box member, the first support surface being supported by the second support surface.
-

6. The method of claim 5, wherein the first and second support surfaces are compressed against each other due to radial expansion of the connector.
7. The method of any one of claims 4-6, wherein the recess is formed in the box member and wherein the pin member extends into the recess.
8. The method of claim 7, wherein said recess is an annular groove provided in a radially extending surface of the box member.
9. The method of any one of claims 2-8, wherein the support means includes a layer of adhesive arranged between the pin member and the box member so as to glue the pin and box members to each other.
10. The method of any one of claims 2-9, wherein the connector is part of a radially expanded tubular element extending into a wellbore.
11. The method of claim 10, wherein connector is part of a radially expanded wellbore casing.
12. The radially expanded tubular element substantially as described hereinbefore with reference to the drawing.

Fig.1.

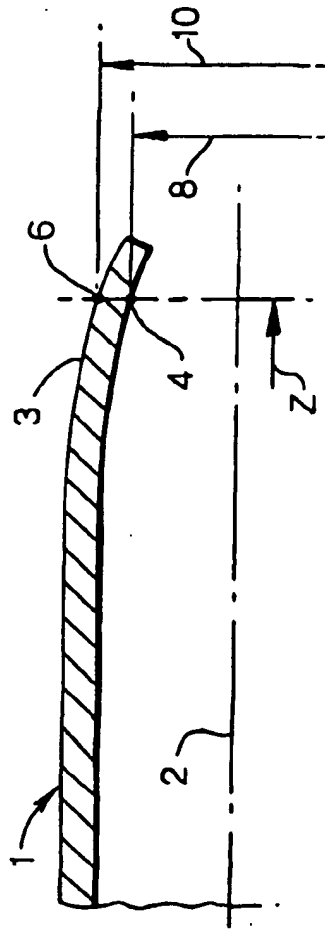


Fig.3.

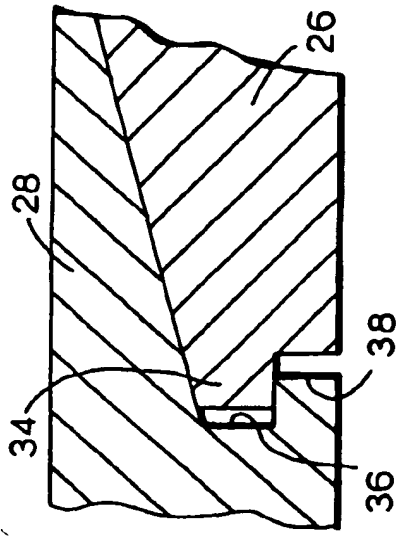
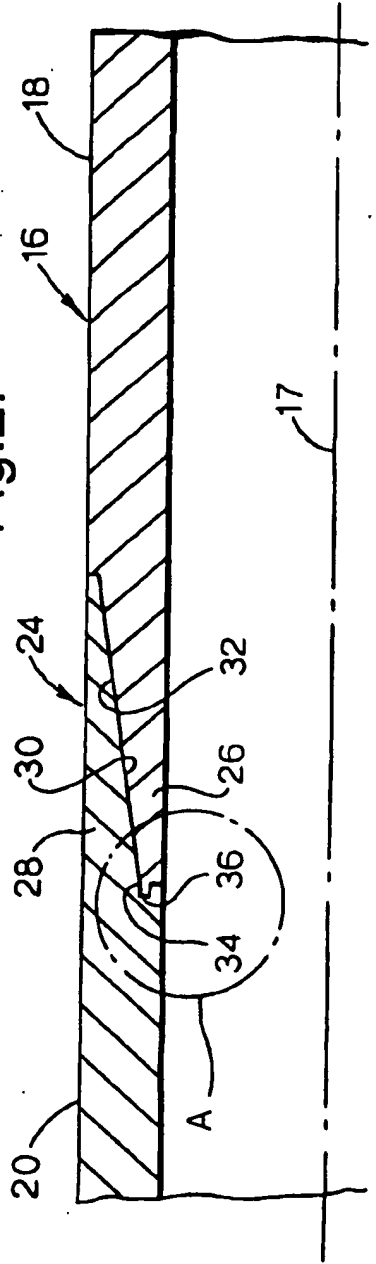


Fig.2.



## INTERNATIONAL SEARCH REPORT

International Application No

PCT/EP 02/05602

## A. CLASSIFICATION OF SUBJECT MATTER

IPC 7 E21B17/046 E21B17/042 E21B17/08 E21B43/10

According to International Patent Classification (IPC) or to both national classification and IPC

## B. FIELDS SEARCHED

Minimum documentation searched (classification system followed by classification symbols)

IPC 7 E21B

Documentation searched other than minimum documentation to the extent that such documents are included in the fields searched

Electronic data base consulted during the international search (name of data base and, where practical, search terms used)

EPO-Internal

## C. DOCUMENTS CONSIDERED TO BE RELEVANT

Category *	Citation of document, with indication, where appropriate, of the relevant passages	Relevant to claim No.
X	US 4 648 627 A (REIMERT LARRY E) 10 March 1987 (1987-03-10) column 3, line 36 - line 40; claims 13,19 abstract; figure 1 ---	1-11
X	WO 01 04520 A (ENVENTURE GLOBAL TECHNOLOGY LL) 18 January 2001 (2001-01-18) page 10, line 21 -page 12, line 2 ---	1-11
X	US 4 429 904 A (REIMERT LARRY E) 7 February 1984 (1984-02-07) column 1, line 26 - line 57 abstract; figure 1 ---	1-11
X	EP 0 957 233 A (DRIL QUIP INC) 17 November 1999 (1999-11-17) paragraphs '0012!', '0027!'; figures 1-3 abstract; figure 1 ---	1-11
	-/--	

 Further documents are listed in the continuation of box C. Patent family members are listed in annex.

\* Special categories of cited documents:

\*A\* document defining the general state of the art which is not considered to be of particular relevance

\*E\* earlier document but published on or after the international filing date

\*L\* document which may throw doubts on priority claim(s) or which is cited to establish the publication date of another citation or other special reason (as specified)

\*O\* document referring to an oral disclosure, use, exhibition or other means

\*P\* document published prior to the international filing date but later than the priority date claimed

\*T\* later document published after the international filing date or priority date and not in conflict with the application but cited to understand the principle or theory underlying the invention

\*X\* document of particular relevance; the claimed invention cannot be considered novel or cannot be considered to involve an inventive step when the document is taken alone

\*Y\* document of particular relevance; the claimed invention cannot be considered to involve an inventive step when the document is combined with one or more other such documents, such combination being obvious to a person skilled in the art.

\*B\* document member of the same patent family

Date of the actual completion of the international search

9 August 2002

Date of mailing of the international search report

30/08/2002

Name and mailing address of the ISA

European Patent Office, P.B. 5818 Patentlaan 2  
NL - 2280 HV Rijswijk  
Tel. (+31-70) 340-2040, Tx. 31 651 epo nl,  
Fax: (+31-70) 340-3018

Authorized officer

Tompouloglou, C

## INTERNATIONAL SEARCH REPORT

International Application No  
PCT/EP 02/05602

C.(Continuation) DOCUMENTS CONSIDERED TO BE RELEVANT		
Category *	Citation of document, with indication, where appropriate, of the relevant passages	Relevant to claim No.
X	US 4 629 221 A (LUMSDEN NORMAN ET AL) 16 December 1986 (1986-12-16) column 6, line 3 - line 40 abstract; figures 1-7 ---	1-11
X	US 4 525 001 A (LUMSDEN NORMAN ET AL) 25 June 1985 (1985-06-25) column 3, line 43 - line 68 abstract; figures 1-4 ---	1-8,10
Y		9
X	US 4 253 687 A (MAPLES JOHN H) 3 March 1981 (1981-03-03) column 7, line 6 - line 24 abstract; figure 1 ---	1-8,10
Y		9
X	US 3 667 252 A (NELSON ARTHUR JOHN) 6 June 1972 (1972-06-06) abstract; figure 5A ---	1-8,10
Y		9
Y	US 5 017 160 A (GARCIA RUDY J) 21 May 1991 (1991-05-21) column 2, line 29 - line 33 ---	9
A	WO 00 66929 A (GRANT PRIDECO INC) 9 November 2000 (2000-11-09) abstract; figures 5,9 ---	1-11
A	EP 0 386 895 A (BILCO TOOLS INC) 12 September 1990 (1990-09-12) abstract; figure 2 -----	1-11

## INTERNATIONAL SEARCH REPORT

Information on patent family members

International Application No

PCT/EP 02/05602

Patent document cited in search report		Publication date	Patent family member(s)	Publication date
US 4648627	A	10-03-1987	GB 2153027 A ,B NL 8402632 A NO 842013 A	14-08-1985 16-08-1985 19-07-1985
WO 0104520	A	18-01-2001	US 6409175 B1 AU 6953700 A EP 1203177 A1 NO 20020174 A WO 0104520 A1	25-06-2002 30-01-2001 08-05-2002 11-03-2002 18-01-2001
US 4429904	A	07-02-1984	US 4410204 A CA 1213630 A1 DE 3315229 A1 FR 2526079 A2 GB 2119466 A ,B JP 1723797 C JP 4013594 B JP 59001894 A MX 158956 A NO 831464 A ,B, US 4610467 A CA 1184585 A1 DE 3224798 A1 FR 2508970 A1 GB 2101700 A ,B JP 1356113 C JP 58008892 A JP 61025955 B	18-10-1983 04-11-1986 24-11-1983 04-11-1983 16-11-1983 24-12-1992 10-03-1992 07-01-1984 03-04-1989 31-10-1983 09-09-1986 26-03-1985 27-01-1983 07-01-1983 19-01-1983 24-12-1986 19-01-1983 18-06-1986
EP 0957233	A	17-11-1999	US 6056324 A EP 0957233 A2 NO 992199 A SG 75951 A1	02-05-2000 17-11-1999 15-11-1999 24-10-2000
US 4629221	A	16-12-1986	CA 1233855 A1 DE 3412546 A1 FR 2544049 A1 GB 2138089 A ,B JP 1643825 C JP 3003833 B JP 60084488 A NO 841324 A ,B,	08-03-1988 11-10-1984 12-10-1984 17-10-1984 28-02-1992 21-01-1991 13-05-1985 08-10-1984
US 4525001	A	25-06-1985	CA 1183886 A1 DE 3301242 A1 FR 2520050 A1 GB 2113334 A ,B JP 1631091 C JP 2054476 B JP 58124886 A NO 830128 A ,B,	12-03-1985 28-07-1983 22-07-1983 03-08-1983 26-12-1991 21-11-1990 25-07-1983 19-07-1983
US 4253687	A	03-03-1981	NONE	
US 3667252	A	06-06-1972	NONE	
US 5017160	A	21-05-1991	NONE	

INTERNATIONAL SEARCH REPORT

Information on patent family members

International Application No

PCT/EP 02/05602

Patent document cited in search report		Publication date	Patent family member(s)	Publication date
WO 0066929	A	09-11-2000	AU 5124300 A	17-11-2000
			WO 0066929 A1	09-11-2000
EP 0386895	A	12-09-1990	US 4957002 A	18-09-1990
			AU 635220 B2	18-03-1993
			AU 4136789 A	30-08-1990
			CA 1320577 A1	20-07-1993
			DE 69020923 D1	24-08-1995
			DK 386895 T3	11-12-1995
			EP 0386895 A1	12-09-1990
			NO 900742 A	28-08-1990
			US RE34686 E	09-08-1994